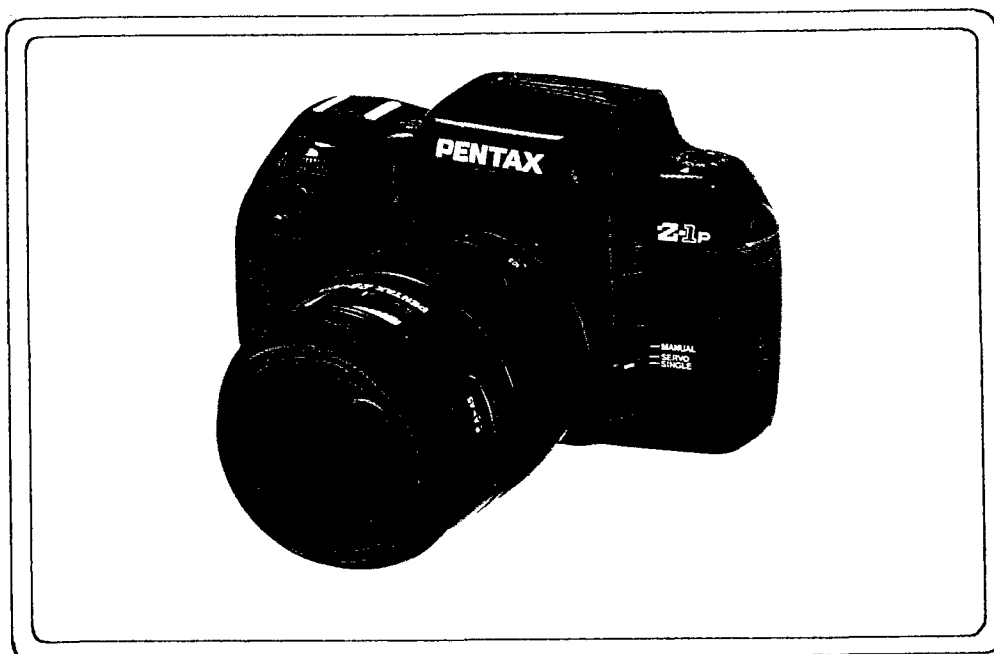


PENTAX®

Service Parts List

PENTAX Z-1P QUARTZ
DATE



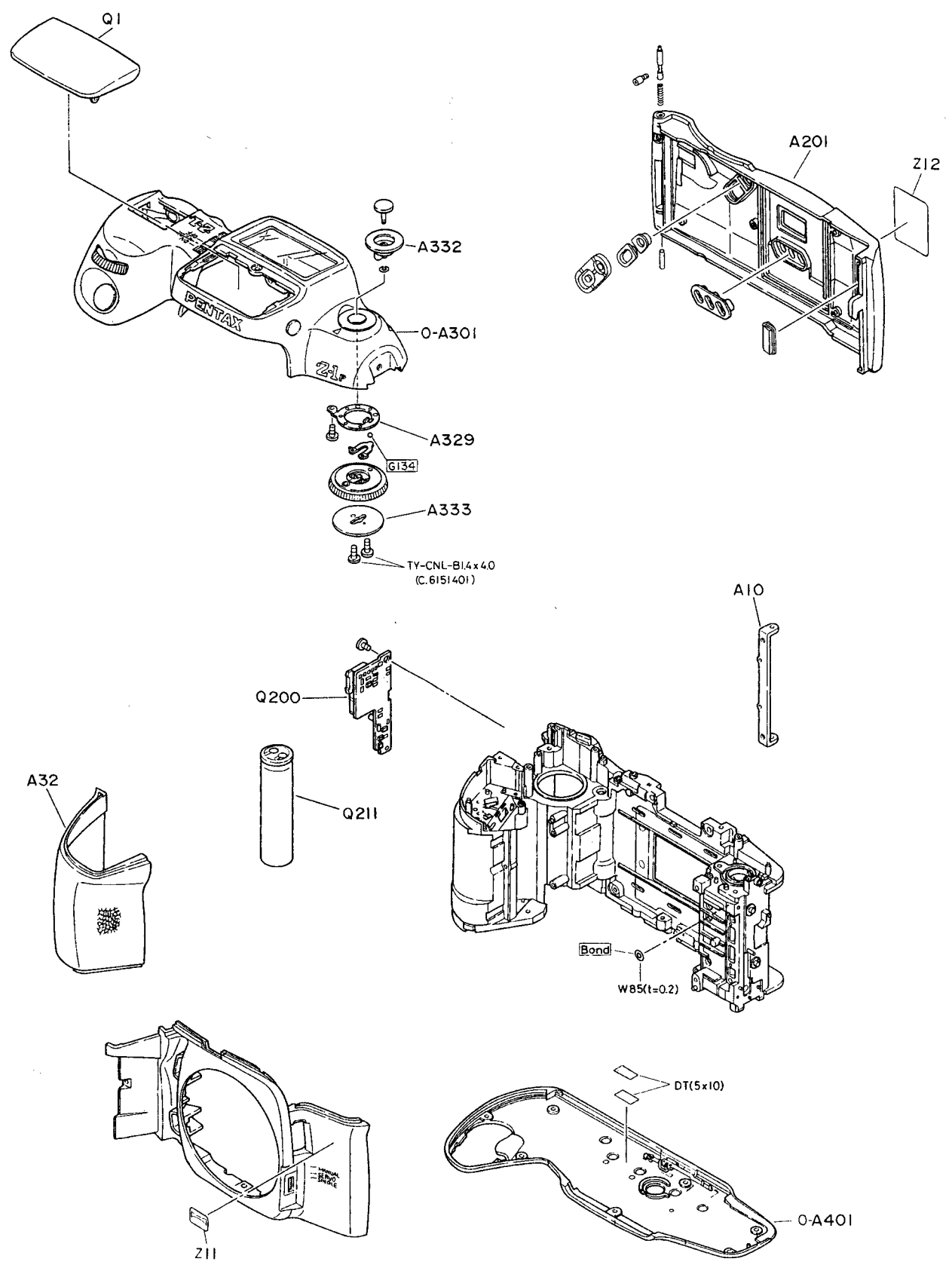
PRODUCT No. 27126 Z-1P QUARTZ DATE

PRODUCT No. 27121 PZ-1P

PRODUCT No. 27123 Z-1P

EXPLODED ILLUSTRATION

(SL) : Screw Lock(THREE BOND 1401C)
 DT : Double Stick tape (Size)
 BT : Black tape (Size)
 (c.) : Code No.

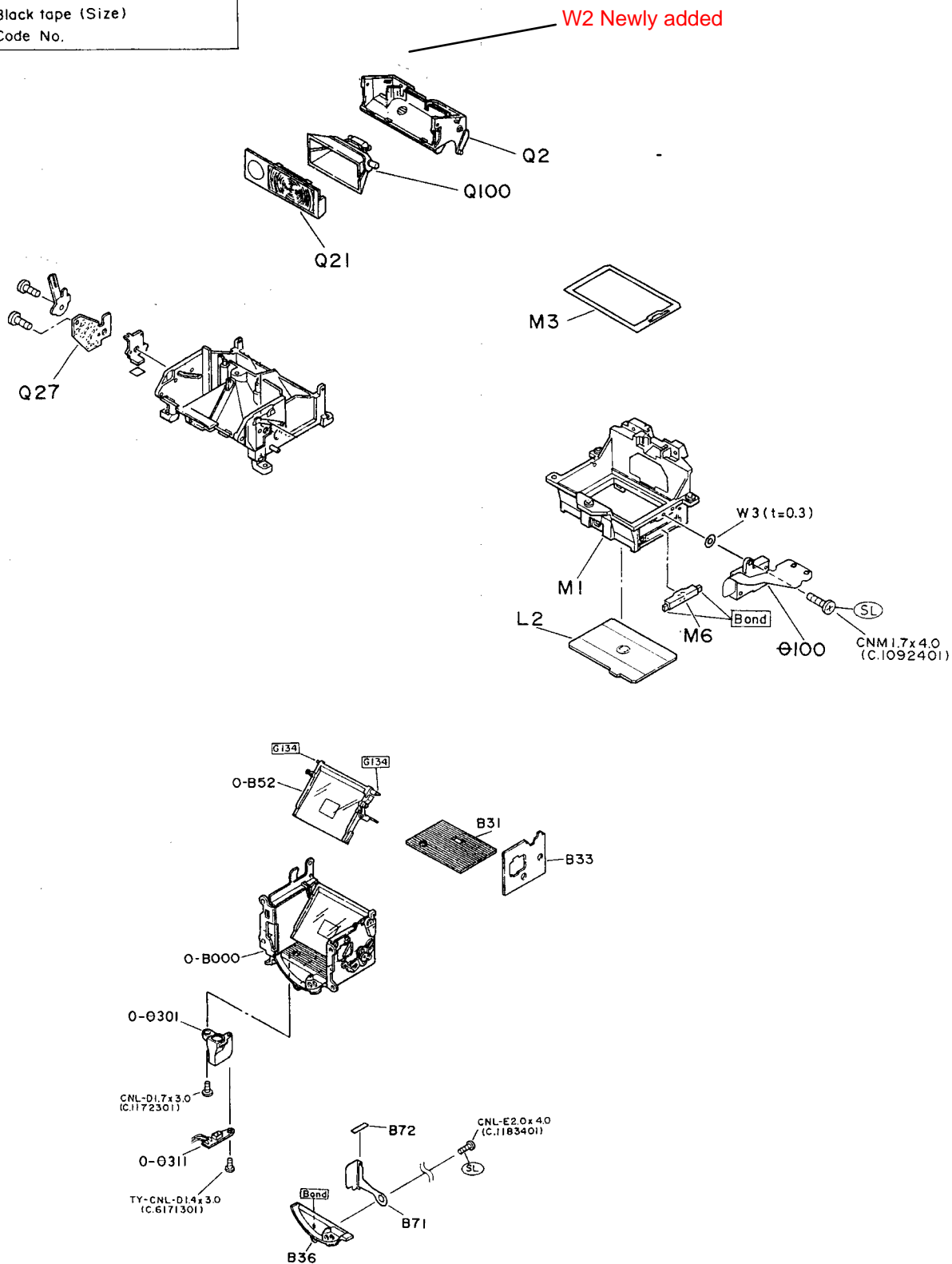


Product No.27126
PENTAX Z-1P QUARTZ DATE

Fig. 1

EXPLODED ILLUSTRATION

(SL) : Screw Lock (THREE BOND I40IC)
 OT : Double Stick tape (Size)
 BT : Black tape (Size)
 (c.) : Code No.

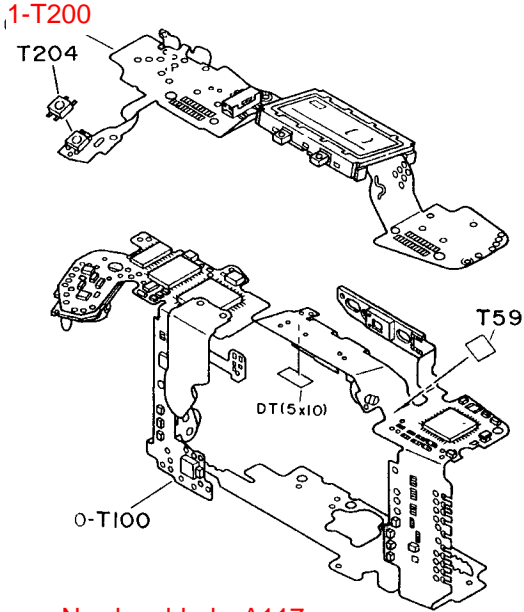
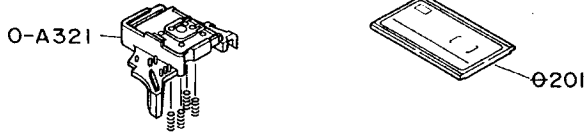


Product No.27126
PENTAX Z-1P QUARTZ DATE

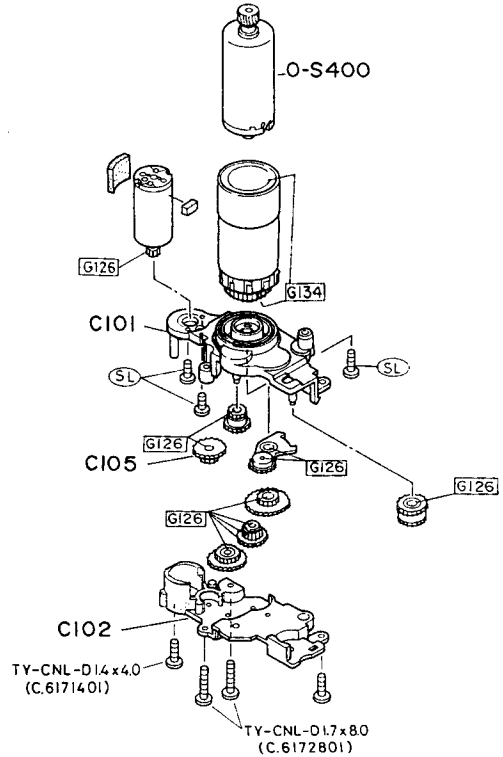
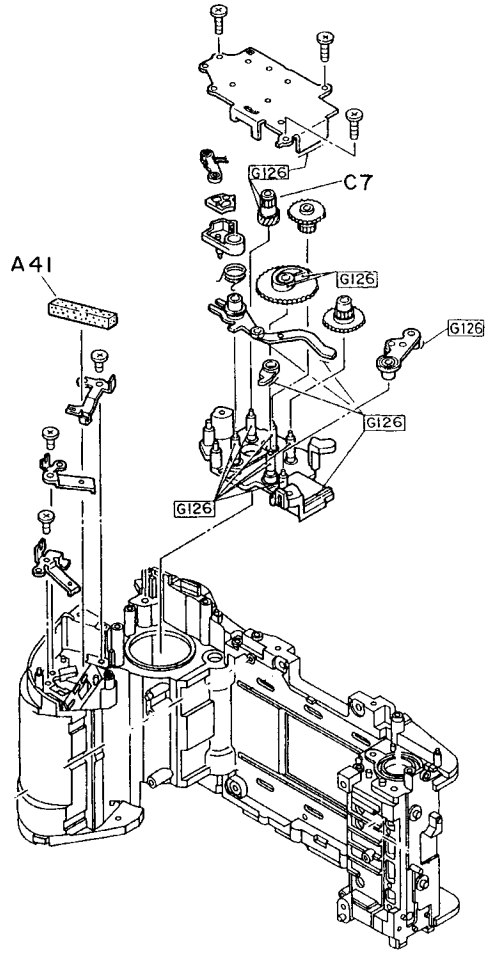
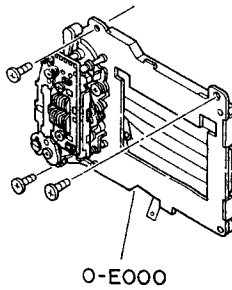
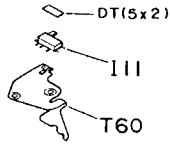
Fig. 2

EXPLODED ILLUSTRATION

(SL) : Screw Lock (THREE BOND I40IC)
 DT : Double Stick tape (Size)
 BT : Black tape (Size)
 (c.) : Code No.



Newly added A117



Product No.27126

PENTAX Z-1P QUARTZ DATE

Fig. 3

LIST OF SERVICE PARTS

Product No. 27126
PENTAX Z-1 P QUARTZ DATE

Note: 1. The parts of Z-1P(Product No.27126) not listed below are interchangeable with those of Z-1(No.27030), except the Back cover and related parts. Back cover and its related parts (Parts No.A200s) are interchangeable with those of Z-1 QD(27032).

1. 下記の部品以外は、後蓋と関連部品を除いて Z-1 (27030) と共通です。
 後蓋とその関連部品は（部品番号A200番台）は、Z-1 QD(27032)と共通です。

Parts No.	Description	Qty.	Interchangeability	NM No.
A10	Back cover shaft receptacle	1		
A32	Grip rubber	1	27037-A32	
A41	Dust seal	1		
A201	Back cover	1		
0-A301	Top cover assy. (A301~A304, A306~A308, A310~A313, A314x2, A316~A320, A329~A337, A338x2, A339, A340, A342, A358x3, TY-CNL-D1.7x3.0, TY-CNL-D1.7x3.5, TY-CNL-F1.7x3.5, TY-CNL-B1.4x4.0 x2, TY-CNS1.7x4.0 x3, CNL-G1.7x3.5, B01.5, W6(t=0.07) x2)	1		
A301	Top cover	1		
0-A321	Accessory shoe base assy. (A321, A324, A325 x3)	1		
A329	Select dial click plate	1		
A332	Select dial indication plate	1		
A333	Select dial cord plate	1		
0-A401	Bottom cover assy. (A401, A408, A409, A410)	1		
0-B000	Mirror housing assy. (B1~B8, B10~B14, B16, B18, B19, B21~B23, B31~B33, B36, B38, B42, B43, B47, B51~B57, B58x2, B59~B64, B66, B69, B70, L1, L6, M102x3, S100, CNS1.7x2.0, CNL-D1.4x2.5x2, CNL-D1.7x1.4, CNL-D1.7x1.6)	1		
B31	Light seal plate, bottom	1		

Newly added A117

Ground screw

1

2619

Parts No.	Description	Qty.	Interchangeability	NM No.
B33	Light seal plate, left	1		
B36	Light seal cover	1		
0-B52	Mirror seat assy. (B52,B38,B53~B56,B64,B69,B70,L1,L6)	1		
B71	Lead wire holder	1		
B72	Holder tape	1		
C7	1st reduction gear, top	1		
C101	Wind-on mech. plate A	1		
C102	Wind-on mech. plate B	1		
C105	1st reduction gear, bottom	1		
0-E000	Shutter block	1		
I11	P select SW	1		
L2	Fresnel lens	1		
M1	Prism seat	1		
M3	Finder mask	1		
M6	Display prism	1		
Ø100	Finder display block	1		
Ø201	LCD	1		
0-Ø301	P indication lens block (Ø301,Ø302,Ø303)	1		
0-Ø311	P indication P.C. board (Ø311,Ø312)	1		
Q1	Flash cover	1		
Q2	Flash frame	1		
Q21	Diffuser	1		
Q27	Flash relay P.C. board	1		
Q100	Flash assy.	1		
Q200	Flash P.C. board	1		
Q211	Main capacitor	1	27060-Q211	
0-S400	Charge motor (S400,S401)	1		
T59	Insulation tape	1		
T60	P-SW FPC	1		
0-T100	Main P.C. board	1		
1-T200	LCD P.C. board	1		2785
T204	Release SW	1		
Z11	Panorama-format seal (Japanese)	1	27096-Z11	
Z12	Back cover seal (Japanese)	1	27096-Z12	

Newly added W2 Washer t = 0.2

1

01-058

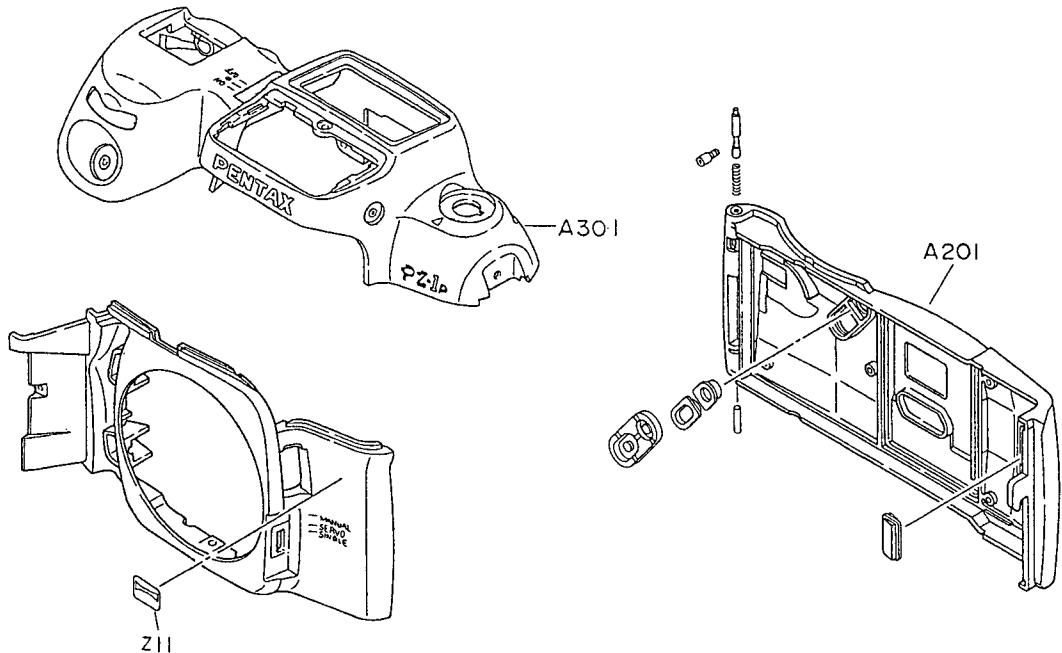
LIST OF SERVICE PARTS

Product No. 27121
PENTAX PZ-1P

Note: 1. The parts of PZ-1P (Product No.27121) not listed below are interchangeable with those of Z-1P QD(No.27126), except related parts of the Back cover. Related parts of the Back cover (Parts No.A200s) are interchangeable with those of Z-1(27030).

1. 下記の部品以外は、後蓋の関連部品を除いて Z-1P QD (27126)と共通です。
後蓋の関連部品 (部品番号A200番台) は、Z-1 (27030)と共通です。

Parts No.	Description	Qty.	Interchangeability	MN No.
A201	Back cover	1		
0-A301	Top cover assy. (A301~A304,A306~A308,A310~A313, A314x2,A316~A320,A329~A337, A338x2,A339,A340,A342,A358x3, TY-CNL-D1.7x3.0,TY-CNL-D1.7x3.5, TY-CNL-F1.7x3.5,TY-CNL-B1.4x4.0 x2, TY-CNS1.7x4.0 x3,CNL-G1.7x3.5, B01.5,W6(t=0.07) x2)	1		
A301	Top cover	1		
Z11	Panorama-format seal	1	27097-Z11	



LIST OF SERVICE PARTS

Product No. 27123
PENTAX Z-1P

Note: 1. The parts of Z-1P (Product No.27123) are interchangeable with those of Z-1P QD(No.27126), except the Back cover and related parts.
The Back cover and its related parts (Parts No.A200s) are interchangeable with those of PZ-1P (27121).

1. Z-1P (27123)の部品は、後蓋と関連部品を除いて Z-1P QD (27126)と共通です。
後蓋とその関連部品（部品番号A200番台）は、PZ-1P (27121)と共通です。
-